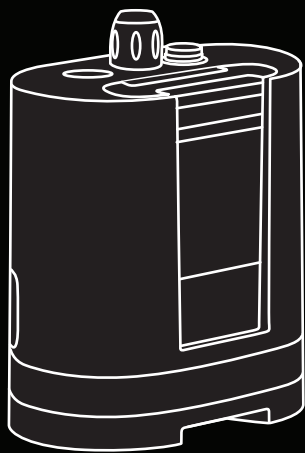
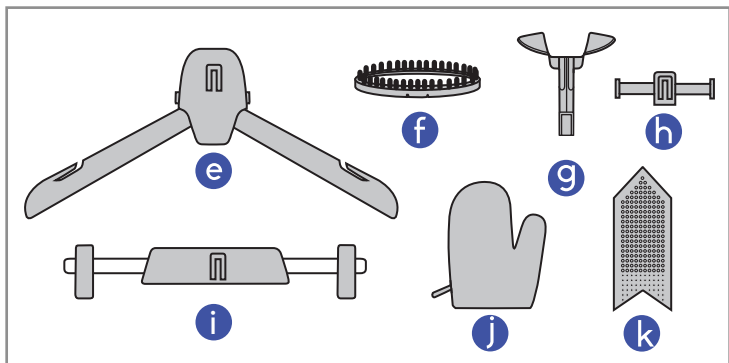
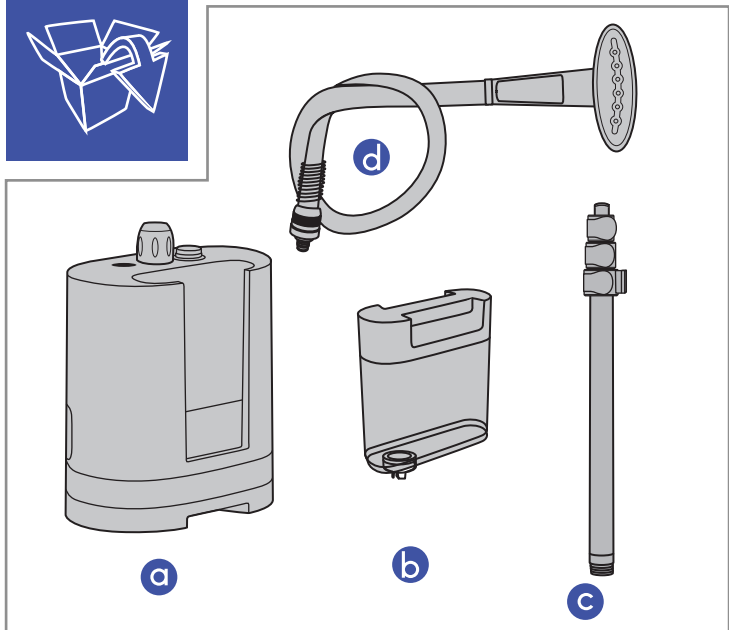


QUICK START



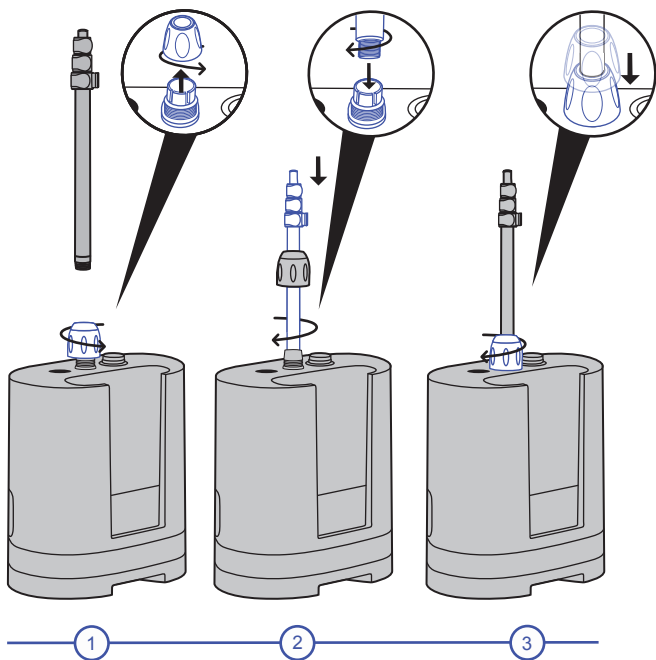
SteamOne



SteamOne

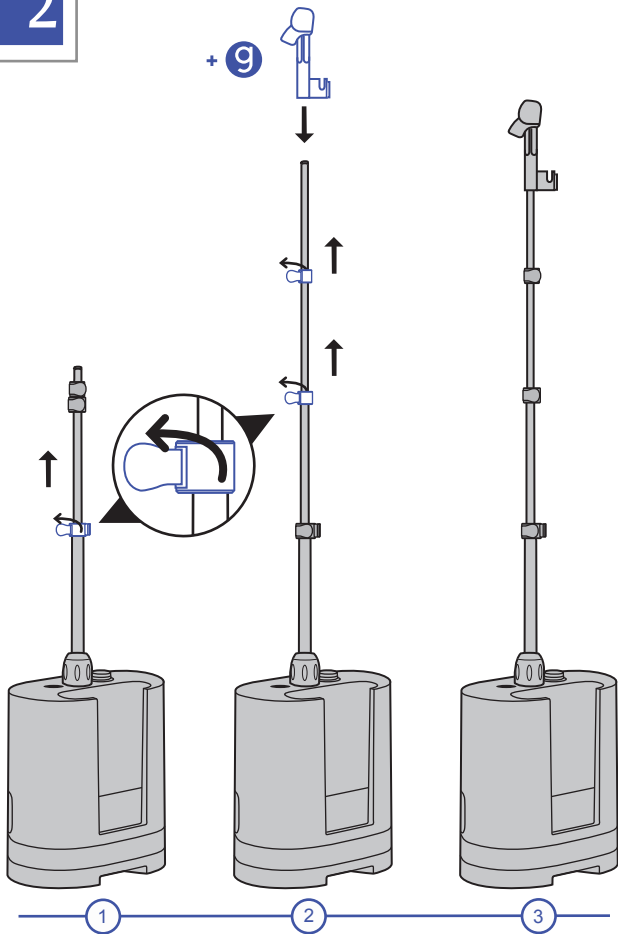
1

a + c



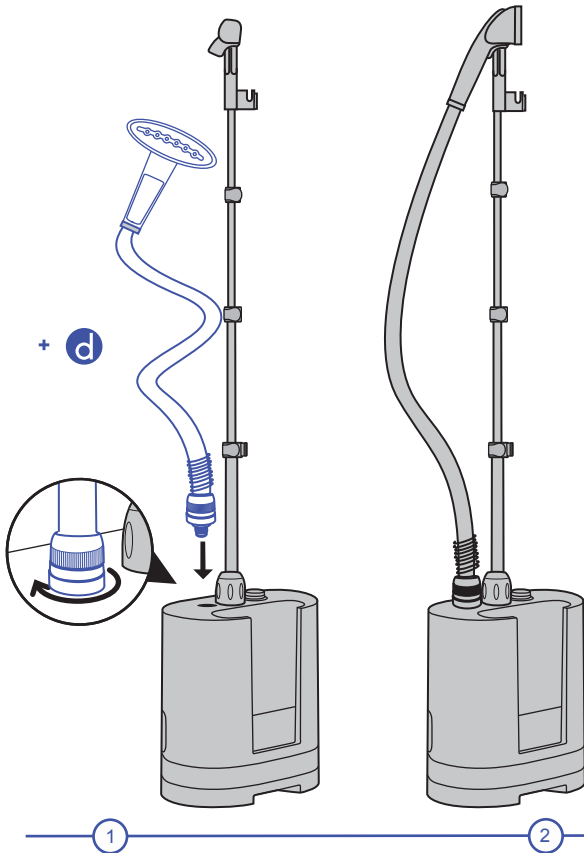
SteamOne

2



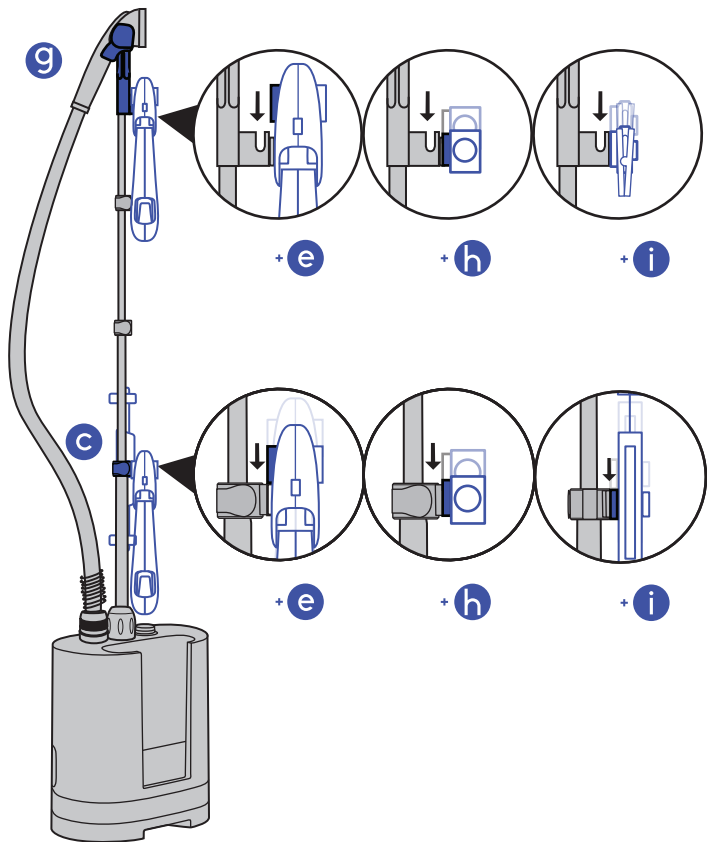
SteamOne

3

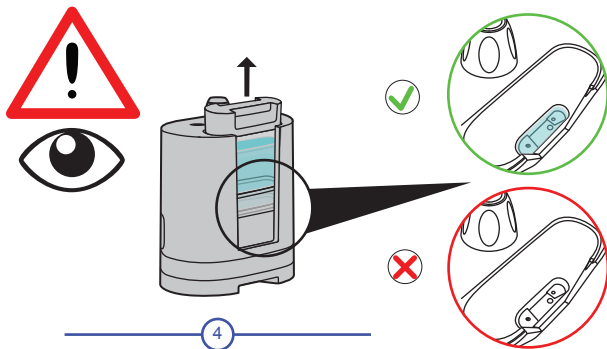
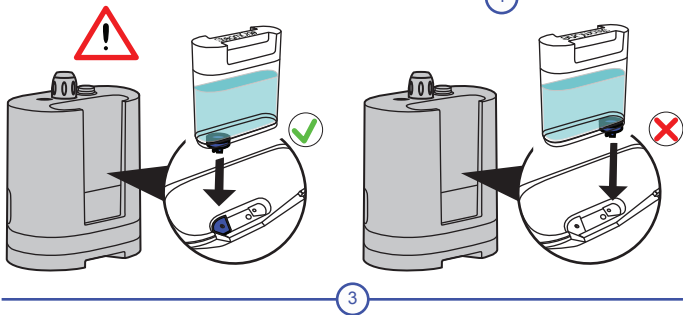
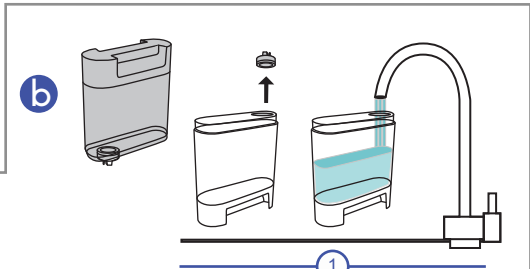


SteamOne

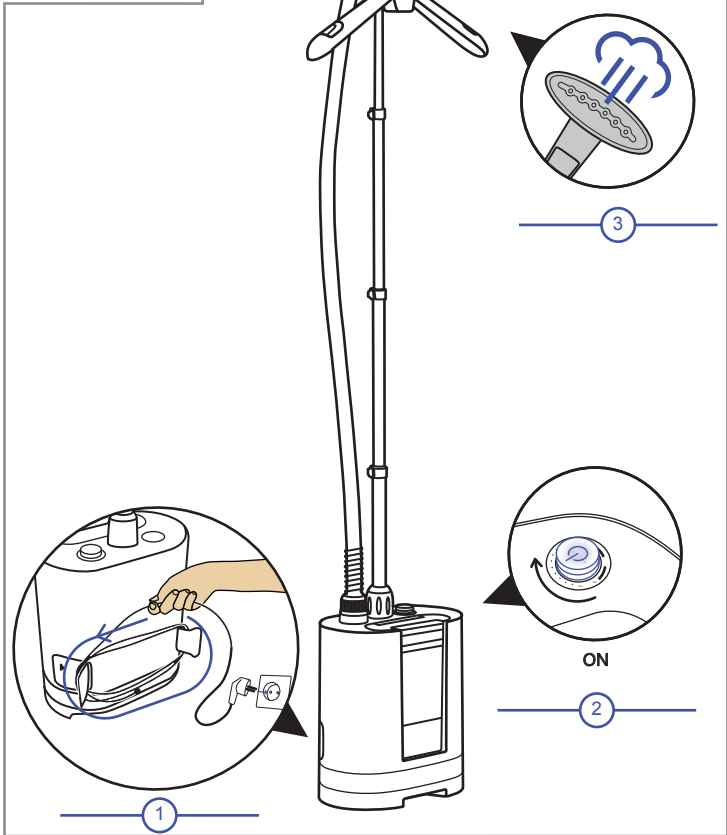
4



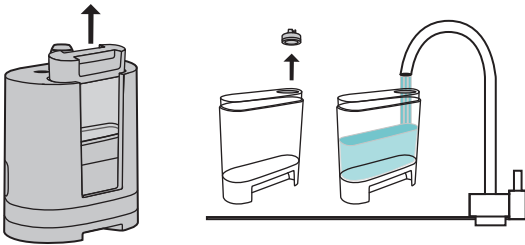
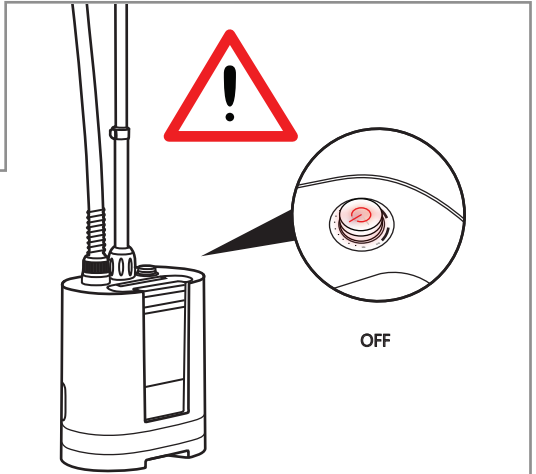
SteamOne



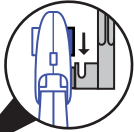
SteamOne



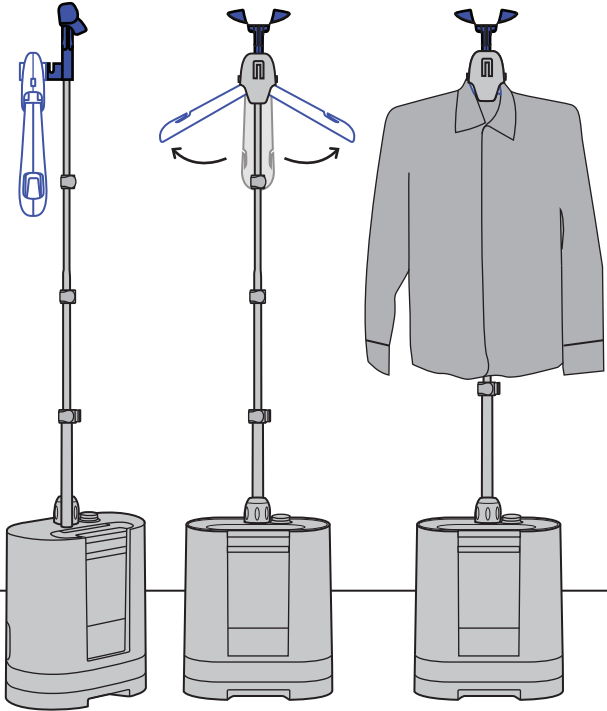
SteamOne



SteamOne



f + e

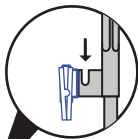


1

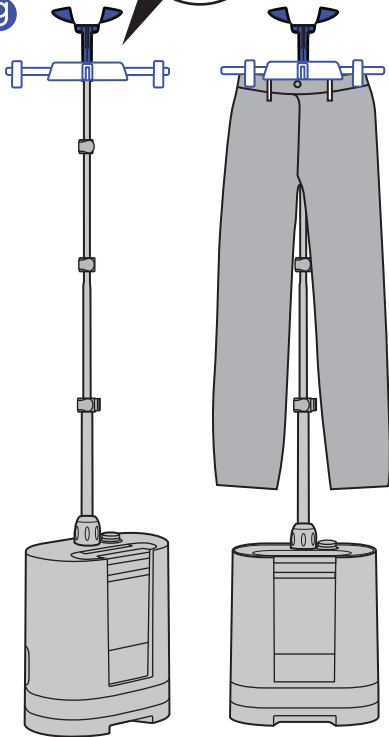
2

3

SteamOne



f + g



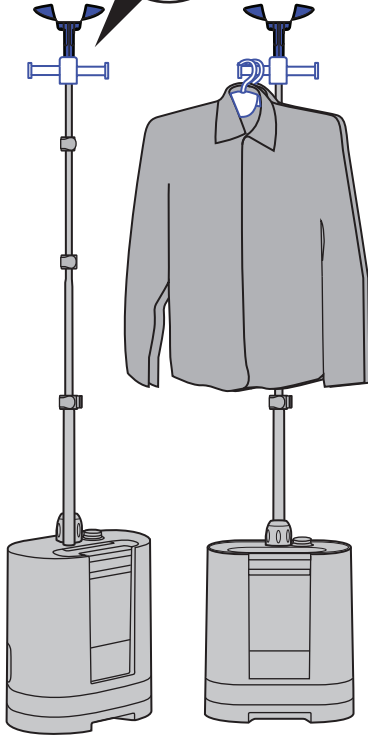
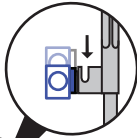
1

2

SteamOne



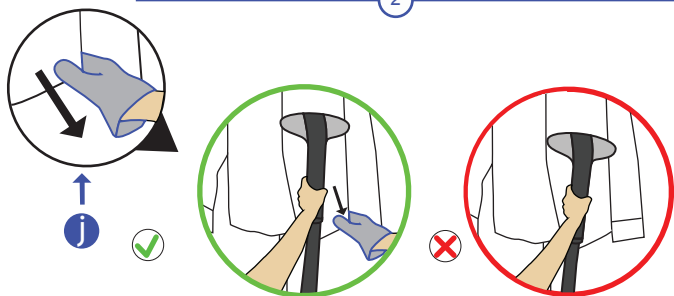
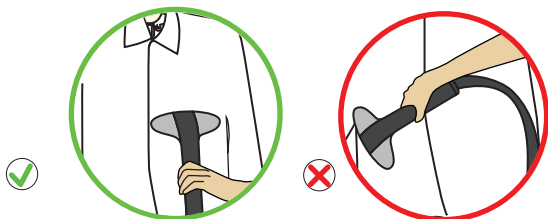
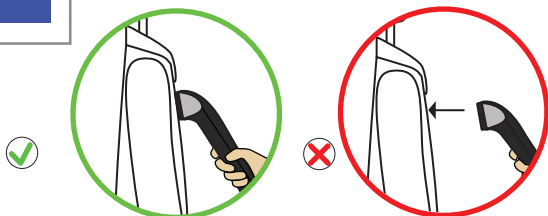
f + i



1

2

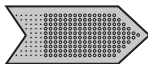
SteamOne



SteamOne



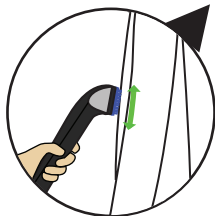
k



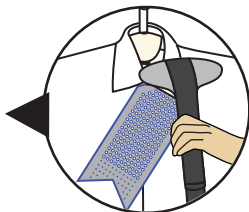
h



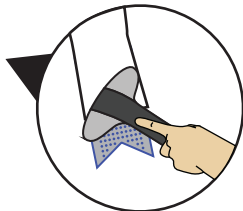
1



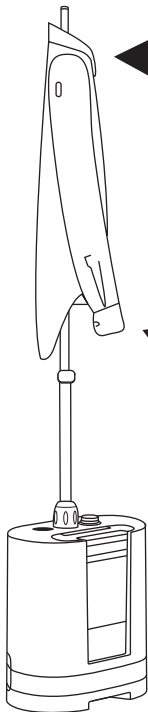
2



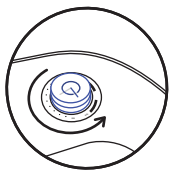
1



2

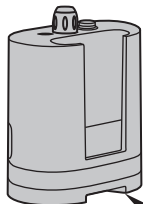


SteamOne

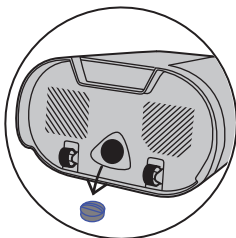
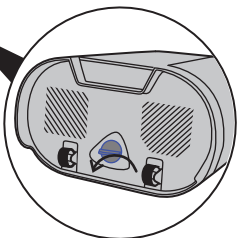


OFF

0

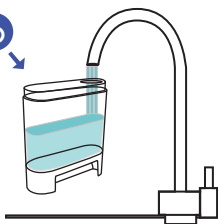


a



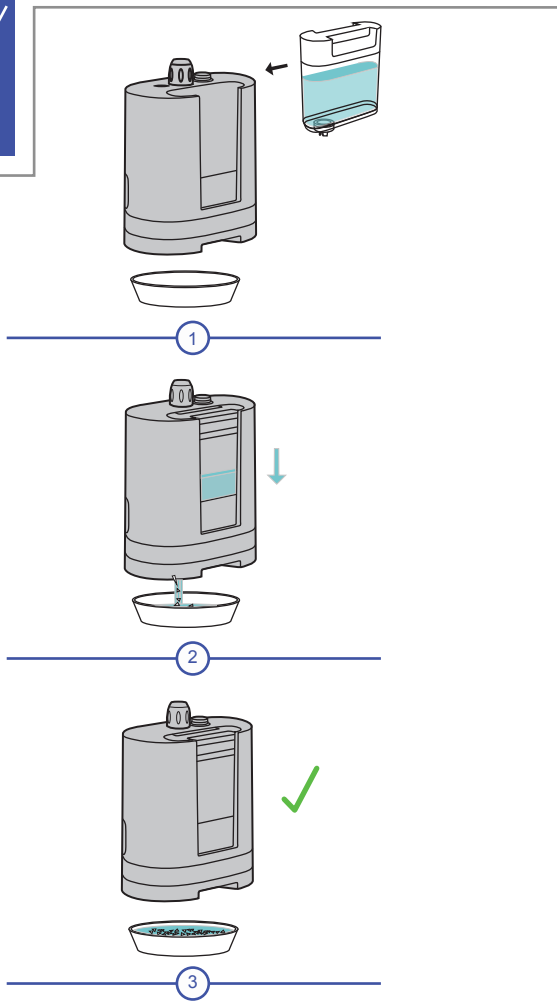
1

b



2

SteamOne



SteamOne